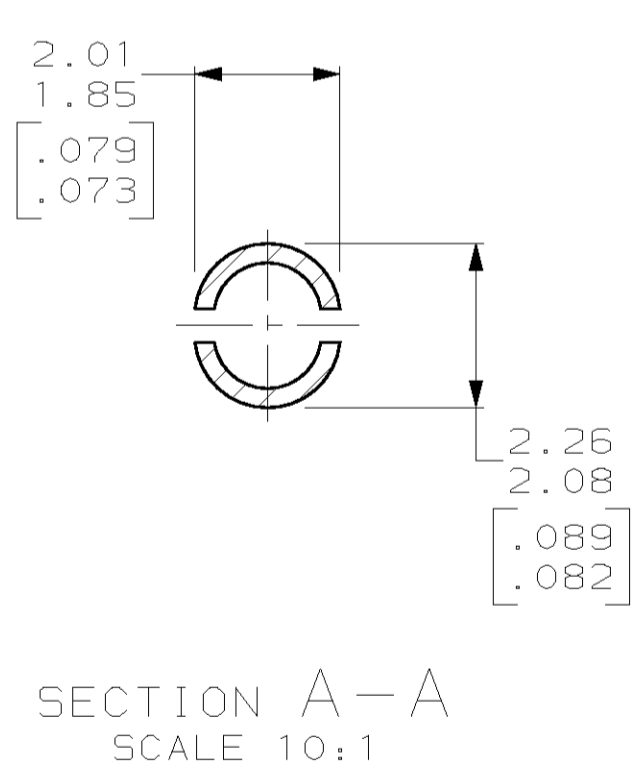
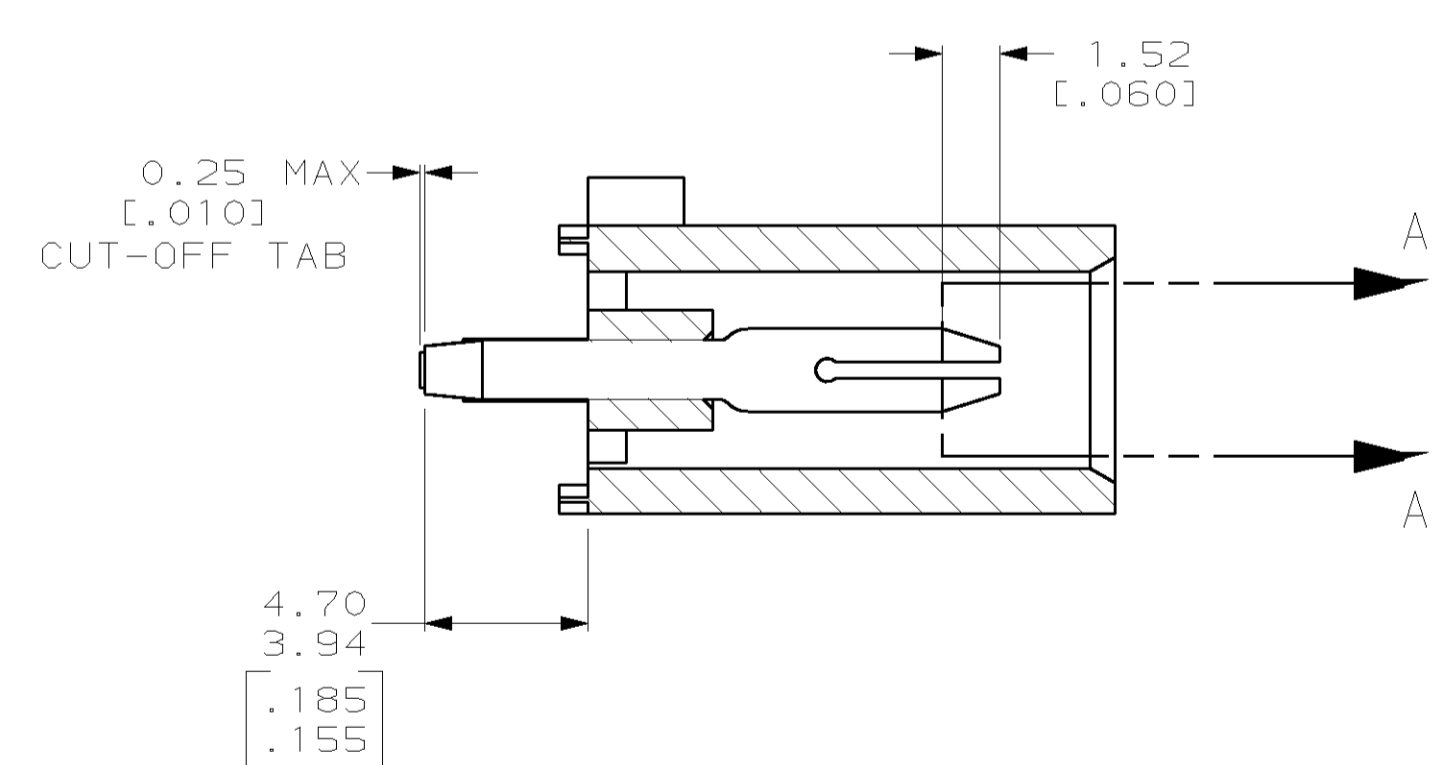
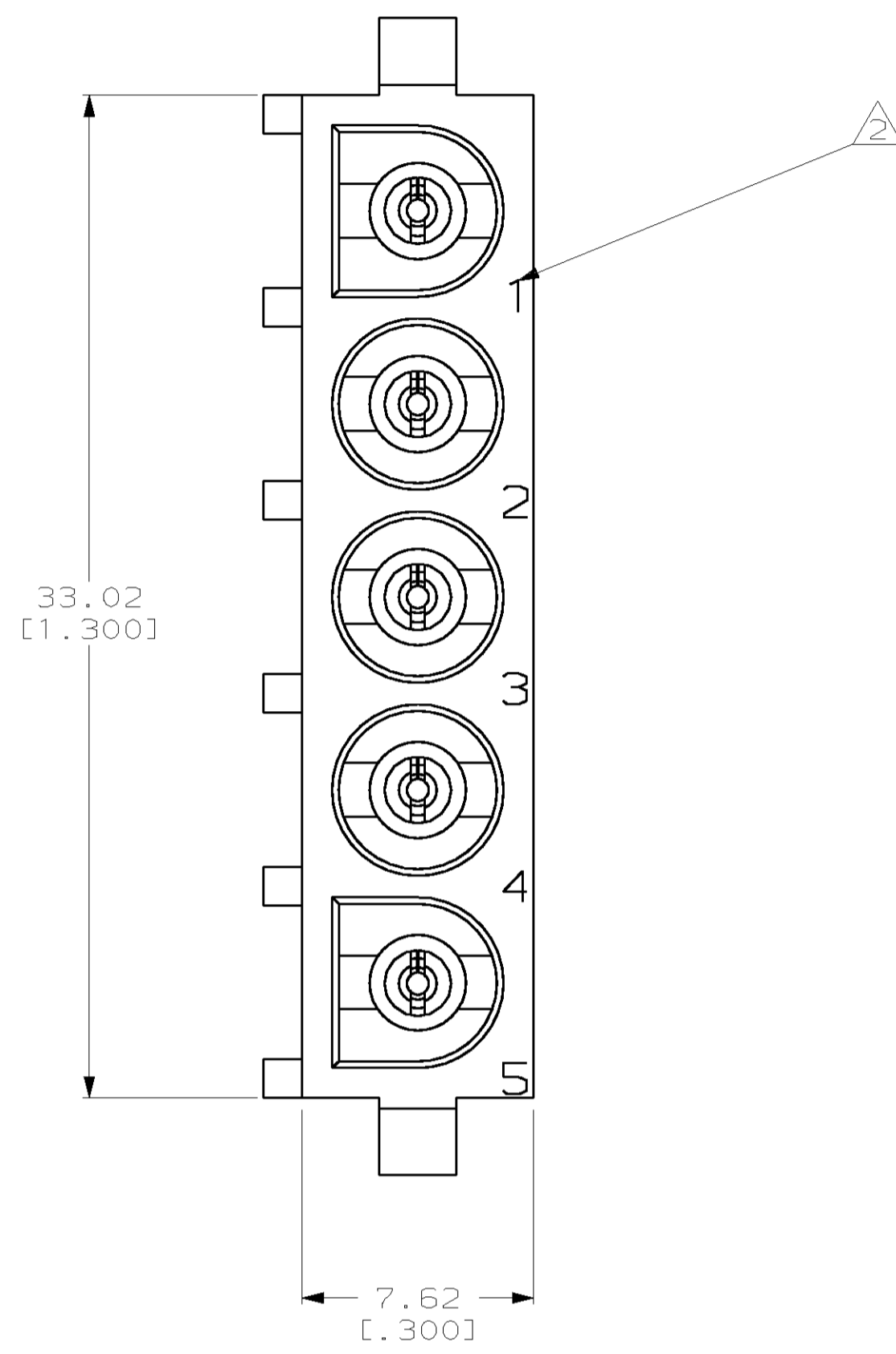
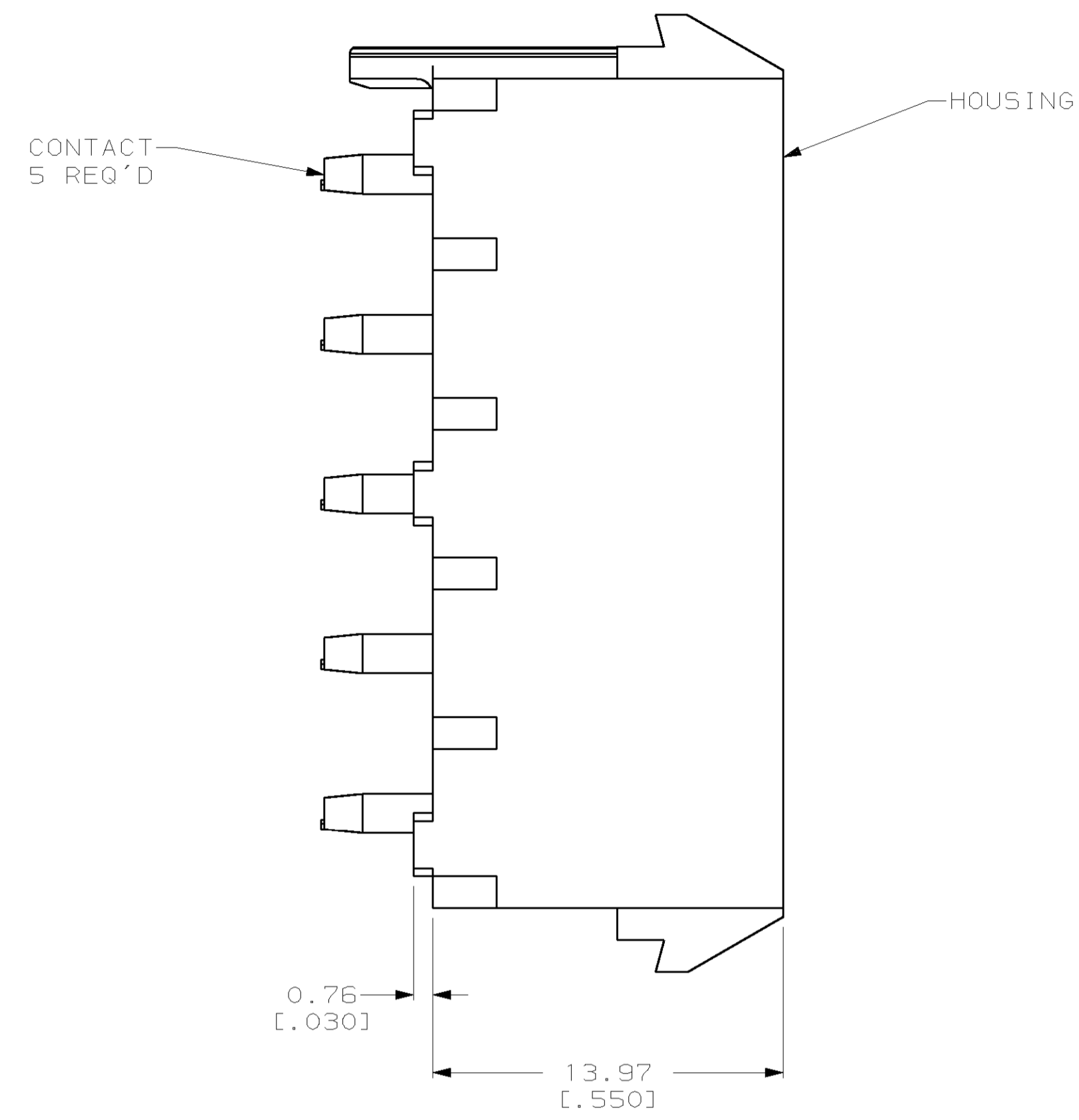
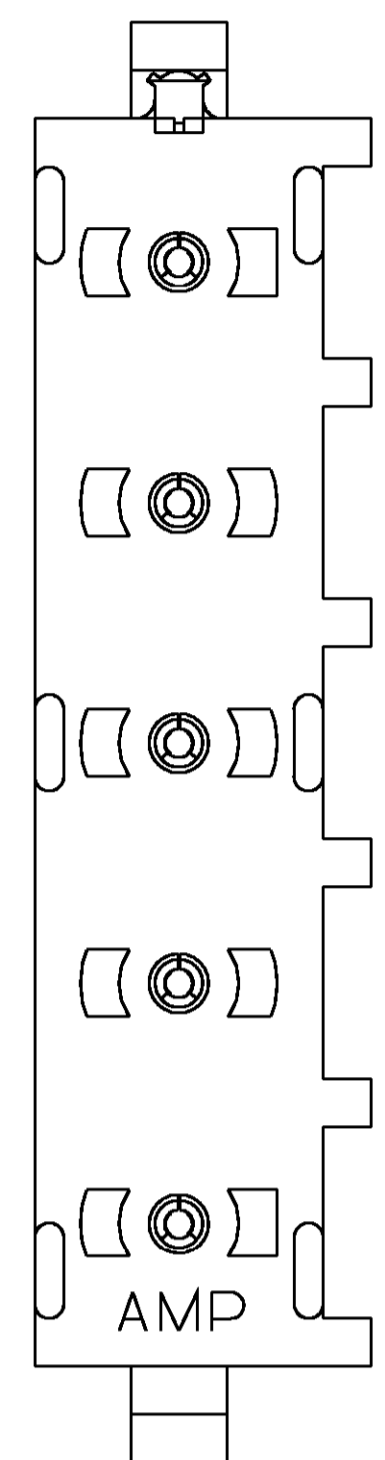


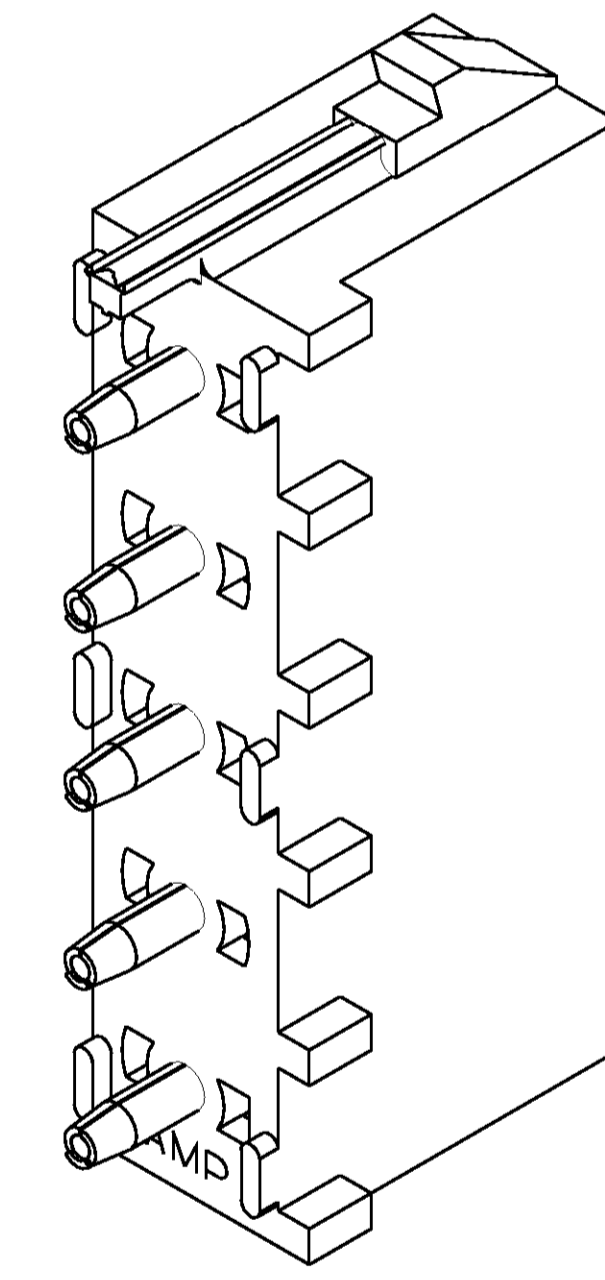
LOC	DIST	REVISIONS			
F	CHR	DESCRIPTION	DATE	OWN	APVD
N		REVISED PER EC 063B-0295-00	23-JUN-00	LM	KC

- PARTS COMPLY TO AMP SOLDERABILITY SPECIFICATION 109-11-3.
- CIRCUIT IDENTIFICATION CHARACTERS ARE ADJACENT TO THE INDICATED CAVITIES, BUT LOCATION AND ORIENTATION MAY DIFFER FROM PRINT.

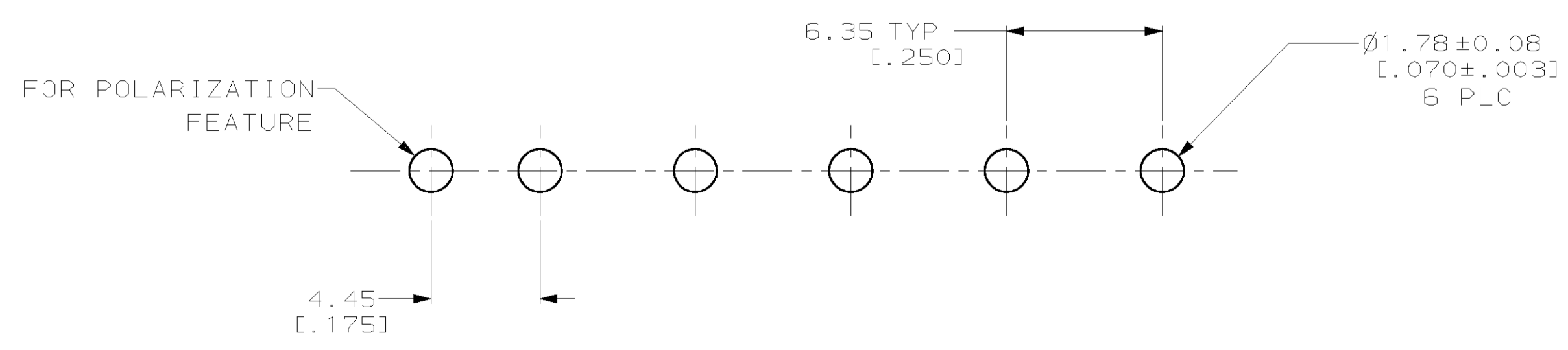
4. DIMENSIONS IN BRACKETS ARE IN INCHES.



SECTION A-A  
SCALE 10:1



3-DIMENSIONAL MODEL  
NTS



RECOMMENDED MOUNTING HOLE PATTERN  
FOR 1.57 [.062] THICK P.C. BOARD

PHOSPHOR BRONZE, PRE-TIN	NYLON, UL94V-0, BLACK	643406-3
PHOSPHOR BRONZE, PRE-TIN	NYLON, UL94V-0, WHITE	643406-1
PIN CONTACT MATERIAL AND FINISH	HOUSING MATERIAL	PART NO

THIS DRAWING IS A CONTROLLED DOCUMENT.		DWN L. McEACHIN 07-JAN-2000	AMP AMP Incorporated Harrisburg, PA 17105-3608
DIMENSIONS: mm (INCHES)		CHK K. COBLE 07-JUN-2000	
TOLERANCES UNLESS OTHERWISE SPECIFIED:		APVD K. COBLE 07-JUN-2000	NAME PIN HEADER ASSEMBLY, POLARIZED, 5 CIRCUIT, UNIVERSAL MATE-N-LOK™
0 PLC ±		PRODUCT SPEC	
1 PLC ±		APPLICATION SPEC	SIZE A1
2 PLC ±0.13 (.005)		WEIGHT	CAGE CODE 00779
3 PLC ±		SCALE 5:1	DRAWING NO 643406
4 PLC ±		CUSTOMER DRAWING	SHEET 1 OF 1
ANGLES 40°-90°			REV N

